

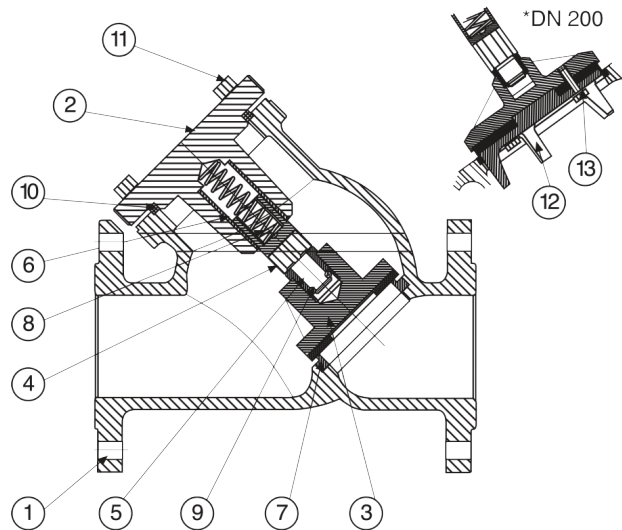
302 Y CHECK VALVE

- Body construction 302 Y Check valve 3"-8"
- Face to face ISO 5752
- Flanges AS- 2129 (BS 10) , EN 1092-2 (ND)
- Max working pressure PN 16
- Temperature range -20°C + 140°C according to material
- Coating Epoxy min 80 micron/ Rilsan® (Nylon 11) min 250 mic UV resistance
- Tightness test According to EN 12266-1:2003
- Material certificate EN 10204.3.1



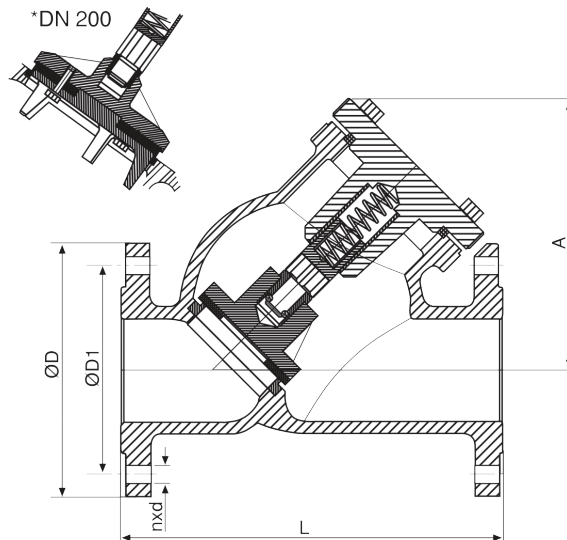
Materials Model 302

Item	Description	Material
1	Body	Cast Iron
2	Cover	Cast Iron
3	Sealing Disc	Cast Iron
4	Sliding Rod	Brass
5	Nut	Brass
6	Bush	Brass
7	Body Seat	Brass
8	Spring	SS
9	Locating Ring	Brass
10	O-Ring	NBR
11	Bolt & Nut	Steel
12	Guide Disc	Bronze
13	Bolt & Washer	Steel



Dimensions Model 302

	mm	80	100	150	200
	inches	3"	4"	6"	8"
General	A	192	235	287	385
	L	285	300	395	495
	KG	20	25	52	82
AS- 2129 (BS 10)	D	185	220	281	340
	D1	146	178	235	292
	nxd	4X18	4X18	8X18	8X18
EN 1092-2 (ND)	D	185	220	281	340
	D1	160	180	240	295
	nxd	8X19	8X19	8X23	12X23



Note: Due to company's policy of continuous improvement, Hakohav Valves reserves the right to change specification without prior notice.