

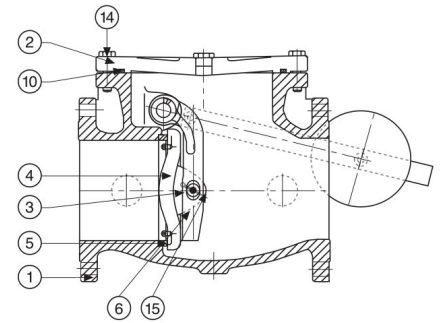
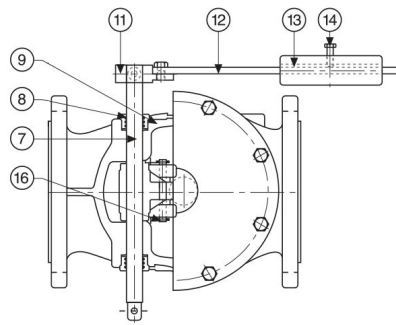
604 SWING CHECK VALVE

- Body construction 604 Swing Check valve 1.5" - 40"
- Face to face BS EN 558-1
- Flanges EN 1092-2 AS-2129 (BSTD)
- Max working pressure PN 40
- Temperature range -10°C + 80°C according to material
- Coating Epoxy min 80 micron UV resistance
- Tightness test According to EN 12266-1:2003
- Material certificate EN 10204.3.1



Materials Model 604

Item	Description	Material
1	Body	Ductile Iron
2	Cover	Ductile Iron
3	Disc	Ductile Iron
4	Seal Disc	Buna- n / EPDM/ Brass
5	Seal Retainer	Brass
6	Disc Bracket	Ductile Iron
7	Stem	Stainless Steel
8	Nut	Ms-58
9	Packing	Teflon
10	Gasket	Perbunan
11	Lever Connection	Cast Iron
12	Lever	ST-37
13	Lever Weight	Cast Iron
14	Screw	
15	Split Pins	Steel
16	Disc Pin	Stainless Steel



Dimensions Model 604

	mm	40	50	65	80	100	125	150	200	250	300	350	400	450	500	600	700	800	900	1000
	inches	1.5"	2"	2.5"	3"	4"	5"	6"	8"	10"	12"	14"	16"	18"	20"	24"	28"	32"	36"	40"
General	A	95	100	115	135	145	160	180	270	320	350	435	475	570	670	760	860	970	1050	
	L	180	200	240	260	300	350	400	500	600	700	800	900	1100	1300	1500	1700	1900	2100	
	K	200	200	300	300	305	400	400	485	500	500	700	700	950	1100	1100	1100	1200	1200	
	ds Ø	12	12	16	16	16	22	22	22	22	26	26	40	40	50	60	65	70	75	
AS-2129 (BS 10)	D	150	165	185	200	220	250	285	340	405	460	520	580	715	840	910	1025	1125	1255	
	D1	98	114	127	146	178	210	235	292	356	406	470	521	641	756	845	984	1092	1175	
	nxd	4*14	4*18	4*18	4*18	4*18	8*18	8*18	8*18	8*22	12*22	12*26	12*26	16*26	16*30	20*30	20*36	24*36	24*36	
EN 1092-2 (ISO 16)	D	150	165	185	200	220	250	285	340	405	460	520	580	715	840	910	1025	1125	1255	
	D1	110	125	145	160	180	210	240	295	355	410	470	525	650	770	840	950	1050	1170	
	nxd	4*19	4*19	4*19	8*19	8*19	8*19	8*19	8*23	12*23	12*28	12*28	16*28	16*31	20*34	24*37	24*40	28*40	28*43	
Kg	PN 10/ 16	9	12	19	20	23	35	47	135	165	287	393	500	660	800	1102	1700	2200	2900	3650
	PN 25	10	13	21	22	25	40	52	149	182	316	432	550	670	880	1102	1800	2250	3000	-
	PN 40	11	14	23	24	28	43	56	162	198	344	472	600	755	960	1200	-	-	-	-

