

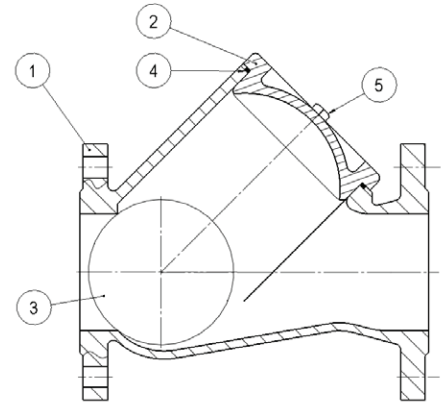
# 402 BALL CHECK VALVE

- Body construction 402 Y Ball Check Valve 2"-14"
- Face to face BS EN 558-1 ( Series 48) F6
- Flanges AS-2129 (BS10)/ EN 1092-2
- Max working pressure PN 16
- Temperature range -20°C + 140°C according to material
- Coating Epoxy min 80 micron/ Rilsan® min 250 mic UV resistance
- Tightness test According to EN 12266-1:2003
- Material certificate EN 10204.3.1



## Materials Model 402

| Item | Description | Material                 |
|------|-------------|--------------------------|
| 1    | Body        | Ductile Iron             |
| 2    | Cover       | Cast Iron                |
| 3    | Ball        | Aluminium NBR Vulcanized |
| 4    | Gasket      | NBR                      |
| 5    | Bolt & Nut  | Stainless Steel          |



## Dimensions Model 402

|                    | mm     | 50   | 65   | 80   | 100  | 125  | 150  | 200  | 250   | 300   | 350   |
|--------------------|--------|------|------|------|------|------|------|------|-------|-------|-------|
|                    | inches | 2"   | 2.5" | 3"   | 4"   | 5"   | 6"   | 8"   | 10"   | 12"   | 14"   |
| General            | A      | 115  | 135  | 180  | 200  | 225  | 260  | 335  | 410   | 490   | 590   |
|                    | B      | 63   | 80   | 96   | 125  | 150  | 180  | 250  | 320   | 370   | 440   |
|                    | L      | 200  | 240  | 260  | 300  | 350  | 400  | 500  | 600   | 700   | 800   |
|                    | Kg     | 9    | 11   | 13   | 20   | 32   | 42   | 74   | 138   | 200   | 310   |
| AS -2129 (BS 10)   | D      | 165  | 185  | 200  | 220  | 250  | 385  | 340  | 400   | 455   | 505   |
|                    | D1     | 114  | 127  | 146  | 178  | 216  | 235  | 292  | 356   | 406   | 470   |
|                    | nxd    | 4*18 | 4*18 | 4*18 | 4*18 | 8*18 | 8*18 | 8*22 | 8*18  | 12*22 | 12*26 |
| EN 1092-2 (ISO 16) | D      | 165  | 185  | 200  | 220  | 250  | 385  | 340  | 400   | 455   | 505   |
|                    | D1     | 25   | 145  | 160  | 180  | 210  | 240  | 295  | 350   | 400   | 460   |
|                    | nxd    | 4*18 | 4*18 | 8*18 | 8*18 | 8*18 | 8*23 | 8*23 | 12*23 | 12*23 | 16*23 |

