

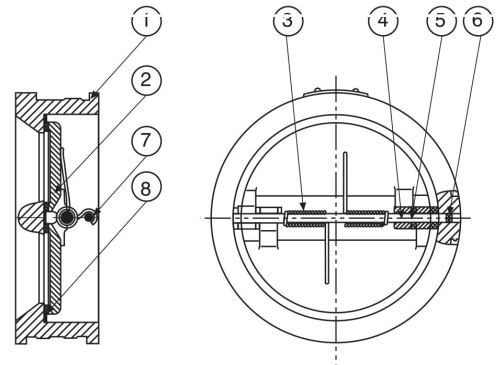
311 DUAL DISC CHECK VALVE

- Body construction 302 Dual disc Check valve 2"-24"
- Face to face ISO 5752-1 series 16, (API 609, BS 5155)
- Flanges DIN/ BS/ ANSI
- Max working pressure PN 16
- Temperature range -20°C + 110°C according to material
- Coating Epoxy min 80 micron UV resistance
- Tightness test According to EN 12266-1:2003
- Material certificate EN 10204.3.1



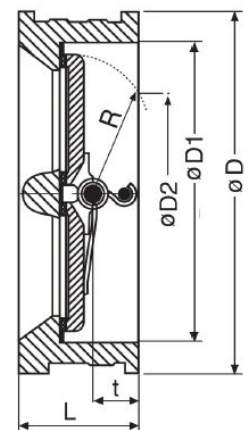
Materials Model 311

| Item | Description | Material |
|------|---------------|----------------|
| 1 | Body | Cast Iron |
| 2 | Disc | SS 316/ Chrome |
| 3 | Spring | SS |
| 4 | Washer | Polyethylene |
| 5 | Shaft | SS |
| 6 | Locking Screw | Steel |
| 7 | Limit Shaft | SS |
| 8 | Bonnet Gasket | EPDM |



Dimensions Model 311

| mm | 50 | 80 | 100 | 150 | 200 | 250 | 300 | 350 | 400 | 450 | 500 | 600 |
|--------|------|------|------|-------|-------|-------|-------|-------|-------|------------|-------|-------|
| inches | 2" | 3" | 4" | 6" | 8" | 10" | 12" | 14" | 16" | 18" | 20" | 24" |
| L | 43 | 64 | 64 | 76 | 89 | 114 | 114 | 127 | 140 | 152 | 152 | 178 |
| Ø D | 107 | 128 | 160 | 217 | 272 | 328 | 378 | 438 | 489 | 539 555 | 594 | 690 |
| Ø D1 | 65 | 94 | 117 | 170 | 224 | 265 | 310 | 360 | 410 | 450 | 505 | 624 |
| Ø D2 | 43.3 | 66.4 | 90.8 | 144.6 | 198.2 | 233.7 | 283.9 | 332.9 | 381 | 419.9 | 467.8 | 572.6 |
| R | 8.8 | 43.4 | 52.8 | 78.6 | 104.4 | 127 | 148.3 | 172.4 | 197.4 | 217.8 | 241 | 295.4 |
| t | 19 | 28 | 27 | 31 | 33 | 50 | 43 | 45 | 52 | 58 | 58 | 73 |
| Kg | 1.5 | 3.6 | 5.7 | 9 | 17 | 26 | 42 | 55 | 75 | 101 107 | 111 | 172 |



Note: Due to company's policy of continuous improvement, Hakohav Valves reserves the right to change specification without prior notice.